



WAP-C3N

IN-CEILING, ENTERPRISE-CLASS,
ULTRA HIGH THROUGHPUT WIRELESS-N
ACCESS POINT



The Pakedge WAP-C3N enterprise-class, ultra-high-power wireless access point delivers unprecedented technology.

Versatility is the WAP-C3N's middle name:

The Pakedge WAP-C3N is the first Enterprise Class, Wireless-N wireless access point that is discreetly installed in the ceiling or wall of your home. With its ultra flat, MIMO (Multiple-In and Multiple-Out) high gain antenna and adjustable power output range, you can now have total wireless coverage in your home.

Designed for the custom installer, the WAP-C3N is networked and powered by a single Cat5e cable. In addition, it can be powered by most PoE switches on the market today because it is

fully 802.3af compliant. The WAP-C3N can be configured in four modes for the utmost flexibility: (1) Wireless Access Point (WAP), (2) Wireless Bridge, (3) Wireless Repeater, or (4) Wireless Distribution System (WDS).

The WAP-C3N also supports VLANs and multiple SSIDs, enabling you to segment your wireless network for diverse clients, including computers, touch panels, and guests. The WAP-C3N was crafted with an aluminum RF shielded back plate design for long-term reliability and durability. Most importantly, the WAP-C3N's sleek design blends unobtrusively into any ceiling or wall, creating a clean look that will surely appeal to those with discriminating taste.



WAP-C3N

KEY FEATURES

Ultra flat design is virtually seamless in any ceiling or wall. Total wireless coverage in any home.

Patented, innovative, swing out, In-ceiling housing design

High-throughput 802.11b/g/n MIMO (Multiple-In and Multiple-Out) radio configuration

Multiple SSID and VLAN support

Industry-leading, software-controlled, variable power output (20dBm) for maximum performance, range, and security

Multiple operating modes: Wireless Access Point, Wireless Bridge (point-to-point and point-to-multipoint), Wireless Repeater, Universal and WDS Repeater (WAP to WAP)



Supports the latest security standards: WPA, WPA2, AES, TKIP, WEP, RADIUS, MAC Filtering, SSID Hide.

Remote management, remote update, file configuration upload capability.

Power-over-Ethernet: fully compatible with IEEE 802.3af. Accepts PoE power from any 802.3af switch or power supply. Overload and short-circuit protection shuts down power immediately if a short circuit is detected, with no harm to the PoE system.

Rugged aluminum back plate designed for maximum protection from interference and efficient cooling.

SPECIFICATION FOR WAP-C3N

STANDARDS	IEEE802.11n, IEEE802.11b/g, IEEE802.3, IEEE802.3u, IEEE802.3af, IEEE802.1f, IEEE802.1x
DATA RATES AND FREQUENCY BAND	IEEE 802.11b: DSSS 11, 5.5, 2, 1 Mbps (auto fallback) IEEE 802.11g: 1, 2, 5.5, 6, 9, 11, 12, 18, 24, 36, 48, 54 Mbps (auto fallback), Modulation- DBPSK @ 1Mbps, DQPSK @2Mbps, CCK @ 5.5 & 11Mbps, BPSK @ 6 and 9 Mbps, QPSK @ 12 and 18 Mbps, 16-QAM @ 24 and 36 Mbps, 64-QAM @ 48 and 54 Mbps IEEE 802.11n Bandwidth Selection

Package Contents:

In-Ceiling Wireless Access Point
Quick Start Guide and Hardware
Category 5e cable

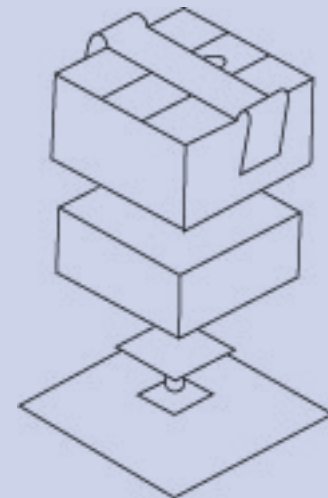
*PoE Power Supply sold separately –
please contact your sales representative
for options

*Preconstruction/Attic-Install bracket sold separately

MCS Index	Spatial Streams	Modulation Type	Data Rate Mb/s			
			20 MHz channel		40 MHz channel	
			800ns GI	400ns GI	800ns GI	400ns GI
0	1	BPSK	6.50	7.20	13.50	15.00
1	1	QPSK	13.00	14.40	27.00	30.00
2	1	QPSK	19.50	21.70	40.50	45.00
3	1	16-QAM	26.00	28.90	54.00	60.00
4	1	16-QAM	39.00	43.30	81.00	90.00
5	1	64-QAM	52.00	57.80	108.00	120.00
6	1	64-QAM	58.50	65.00	121.50	135.00
7	1	64-QAM	65.00	72.20	135.00	150.00
8	2	BPSK	13.00	14.40	27.00	30.00
9	2	QPSK	26.00	28.90	54.00	60.00
10	2	QPSK	39.00	43.30	81.00	90.00
11	2	16-QAM	52.00	57.80	108.00	120.00
12	2	16-QAM	78.00	86.70	162.00	180.00
13	2	64-QAM	104.00	115.60	216.00	240.00
14	2	64-QAM	117.00	130.00	243.00	270.00
15	2	64-QAM	130.00	144.40	270.00	300.00

SPECIFICATION FOR WAP-C3N

RF INFORMATION	Frequency Band- 2.400 – 2.484 GHz: U.S., Europe and Japan product covering 2.4 to 2.484 GHz, hardware for different country regulations. Operating Channels: 11 for North America, 14 for Japan, 13 for Europe.
RF INFORMATION	Receive Sensitivity (Typical)- 2.412~2.472G(IEEE802.11n)- Up to -91dBm 2.412~2.472G(IEEE802.11g)- Up to -92dBm 2.412~2.472G(IEEE802.11b)- Up to -93dBm Available Transmit Power (Typical) 2.412~2.472G (IEEE802.11g/n), Up to 20dBm 2.412~2.472G (IEEE802.11b), Up to 19dBm
ETHERNET CONNECTION	10/100/1000 Gigabit Ethernet port DHCP Server
POWER REQUIREMENTS	Ethernet POE in: 48VDC/0.375A for IEEE 802.3af compliance WAP-WG3X Device- 12V / 1.0 A Power Supply: 90 to 240 VDC ± 10% (depends on different countries)
OPERATIONS	Up to Four Multiple SSID Supports 802.1a VLANs Access Point Mode Bridge Mode WDS Mode Universal Repeater Mode
MANAGEMENT AND SECURITY	Remote mangement via HTTP, SNMP V1/V2C, and Telnet Security- IEEE802.1x Authenticator / RADIUS Client (EAP-MD5/TLS/TTLS) support in AP Mode WEP- 64/128 bit, WPA/WPA2 supplicant support in Client Bridge mode WPA2/WPA / Pre-share Key (PSK)/AES/TKIP, WPA-Enterprise MAC address filtering (AP mode) Hide SSID in beacons Layer 2 Isolation IP Auto-configuration- DHCP client/server Firmware upgrade via HTTP QoS- WMM
MECHANICAL	Housing Dimensions- Dome Height: 5/8", Diameter: 8 1/4", Depth: 2", Cutout Diameter: 7" Outer Dimensions (as installed): Dome Height: 5/8", Diameter: 8 1/4" Weight- 22 oz Antenna- Three- 5-dbi, nano-blade, omni-directional Interface- One 10/100/1000Mbps RJ-45 LAN or LAN/PoE Port
ENVIRONMENTAL	Temperature Range- Operating: -10°C to 50°C (14°F to 132°F) Storage: -40°C to 70°C (-40°F to 158°F) Humidity- 5%~95% Non-condensing



pakedge device&software inc. creates innovative networking products for people who demand performance, features and reliability. Our products use the most advanced wireless and networking technology and are designed for professionals to install and consumers to enjoy. You'll find our products are easy to use, productive and aesthetically pleasing.

[HTTP://
WWW.
PAKEDGE
.COM](http://www.pakedge.com)

pakedge device&software inc.

1163 Triton Drive
Foster City, CA 94404
Main: 877.274.6100
Fax: 650.685.5520
sales@pakedge.com